

4B1209 SWING-AWAY HINGE KIT

This kit will allow a dual king or dual queen bed to swing apart in the middle to allow for cleaning etc.

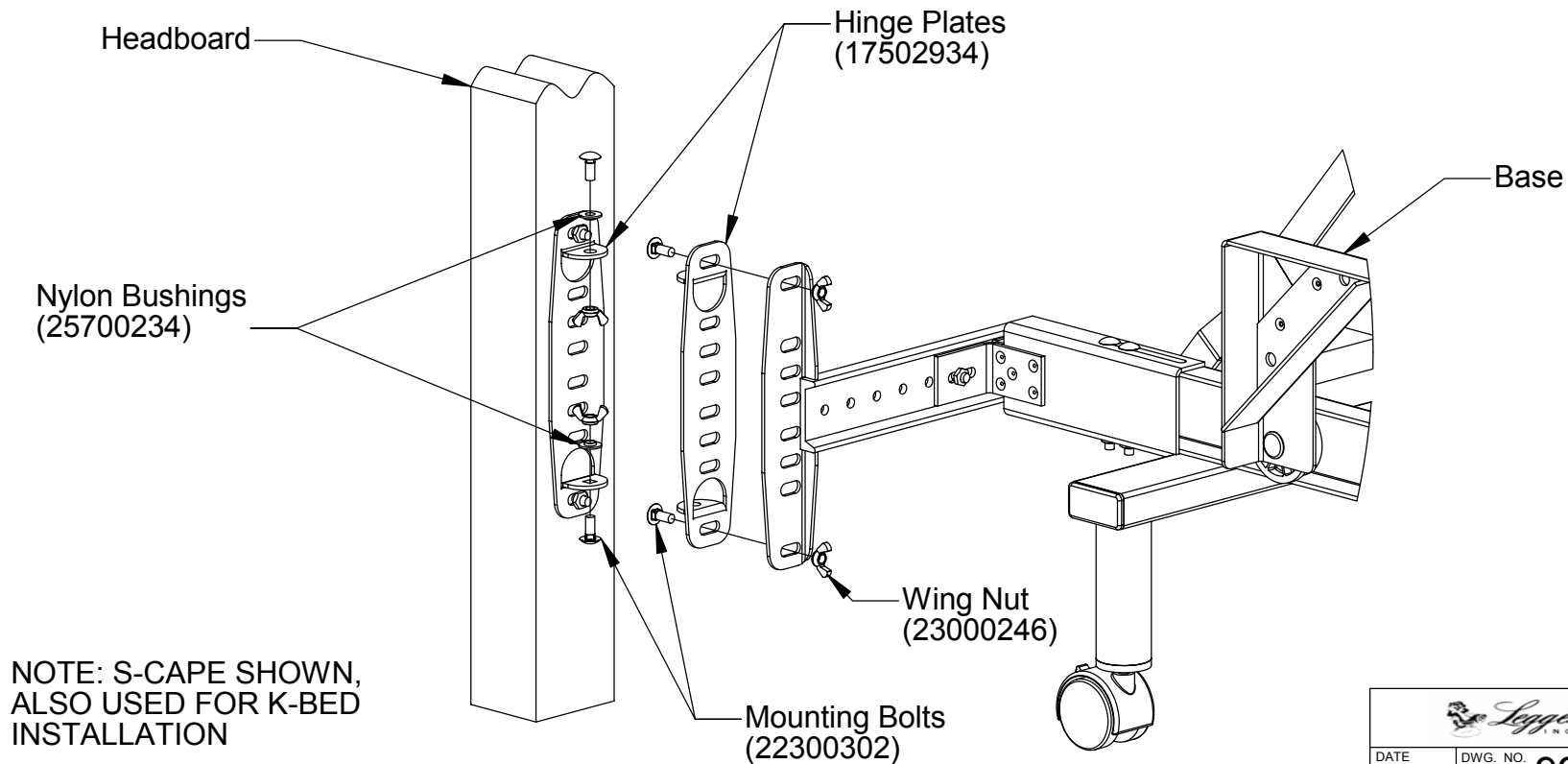
STEP ONE: Install headboard brackets supplied with the bed on the left and right side of the frame rails as shown in the instruction manual. The two inside brackets will not be used.

STEP TWO: Install the nylon bushings (25700234) into the round holes in the hinge plate(17502934).

STEP THREE: Assemble the hinge plates (17502934) in pairs with the square hole flanges aligned on top of the nylon bushings. Insert a mounting bolt (22300302) through each flange lining up the square boss on the bolt with the square hole in the flange. Thread a wing nut (23000246) on each mounting bolt.

STEP FOUR: Bolt the headboard bracket to the hinge plate with mounting bolts and wing nuts.

STEP FIVE: Mount the assembled swing hinges to the headboard using your own hardware.



 INCORPORATED		
DATE 12/16/03	DWG. NO. 99300759	
DO NOT SCALE DRAWING		SHEET 1 OF 1